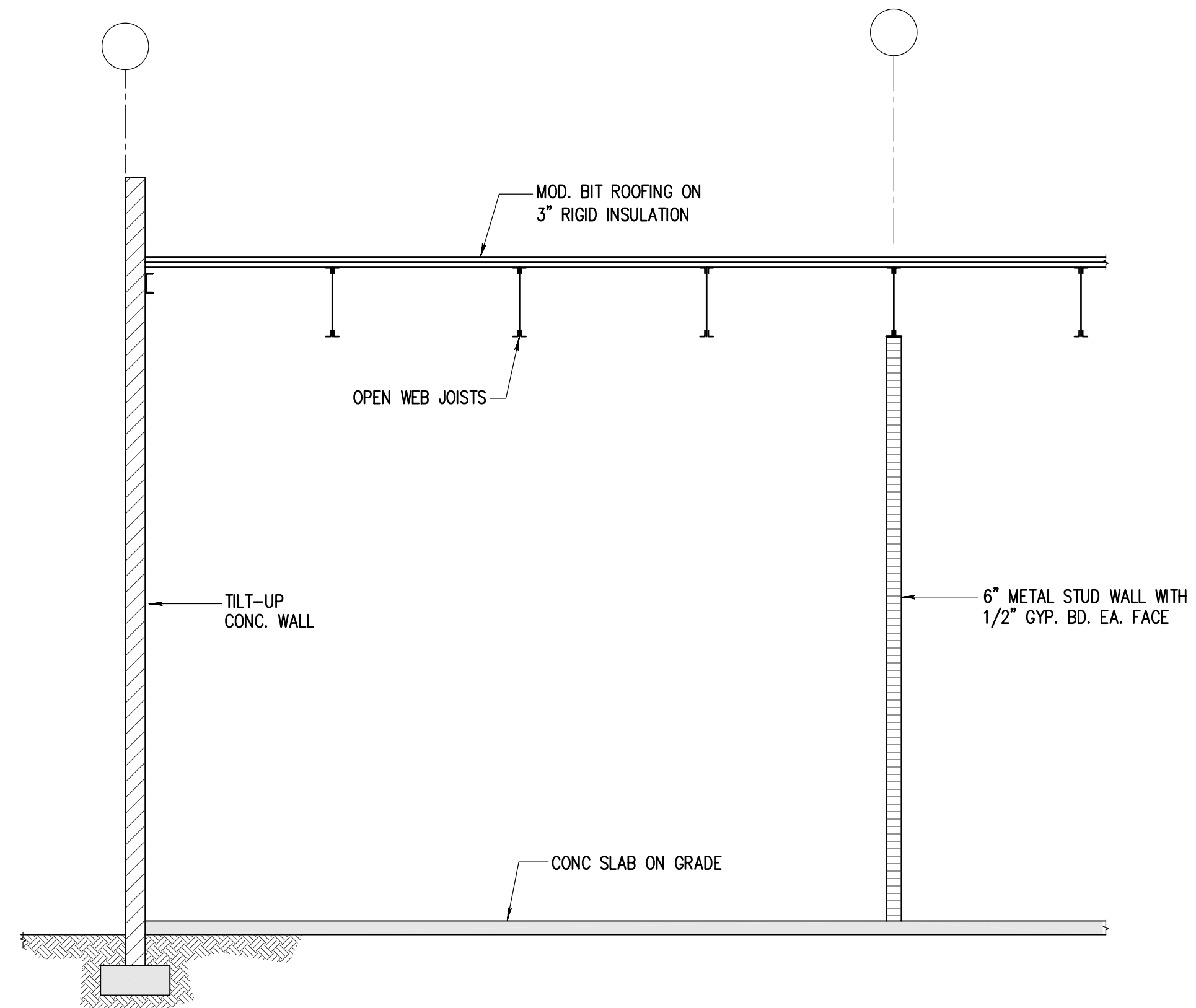
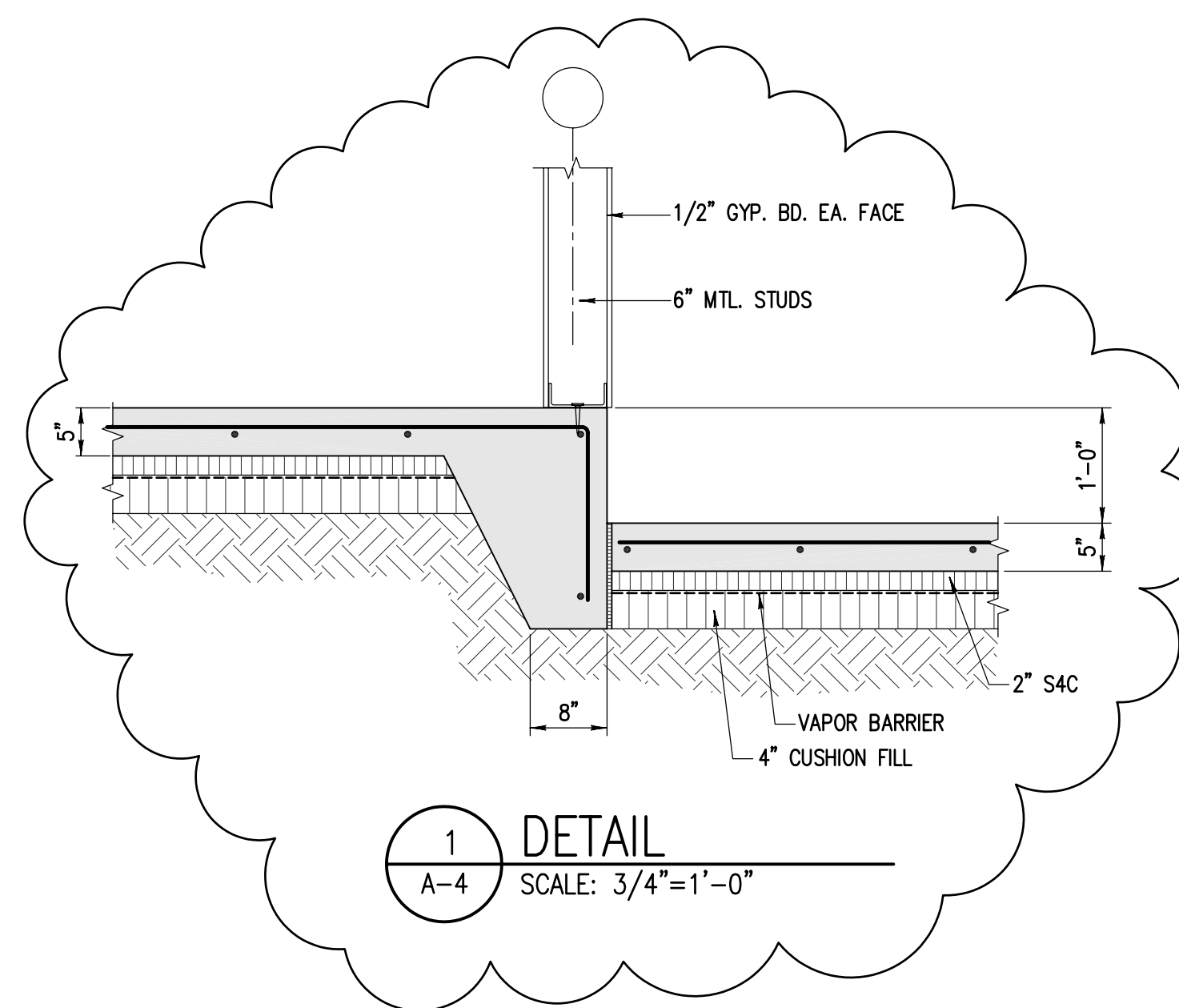


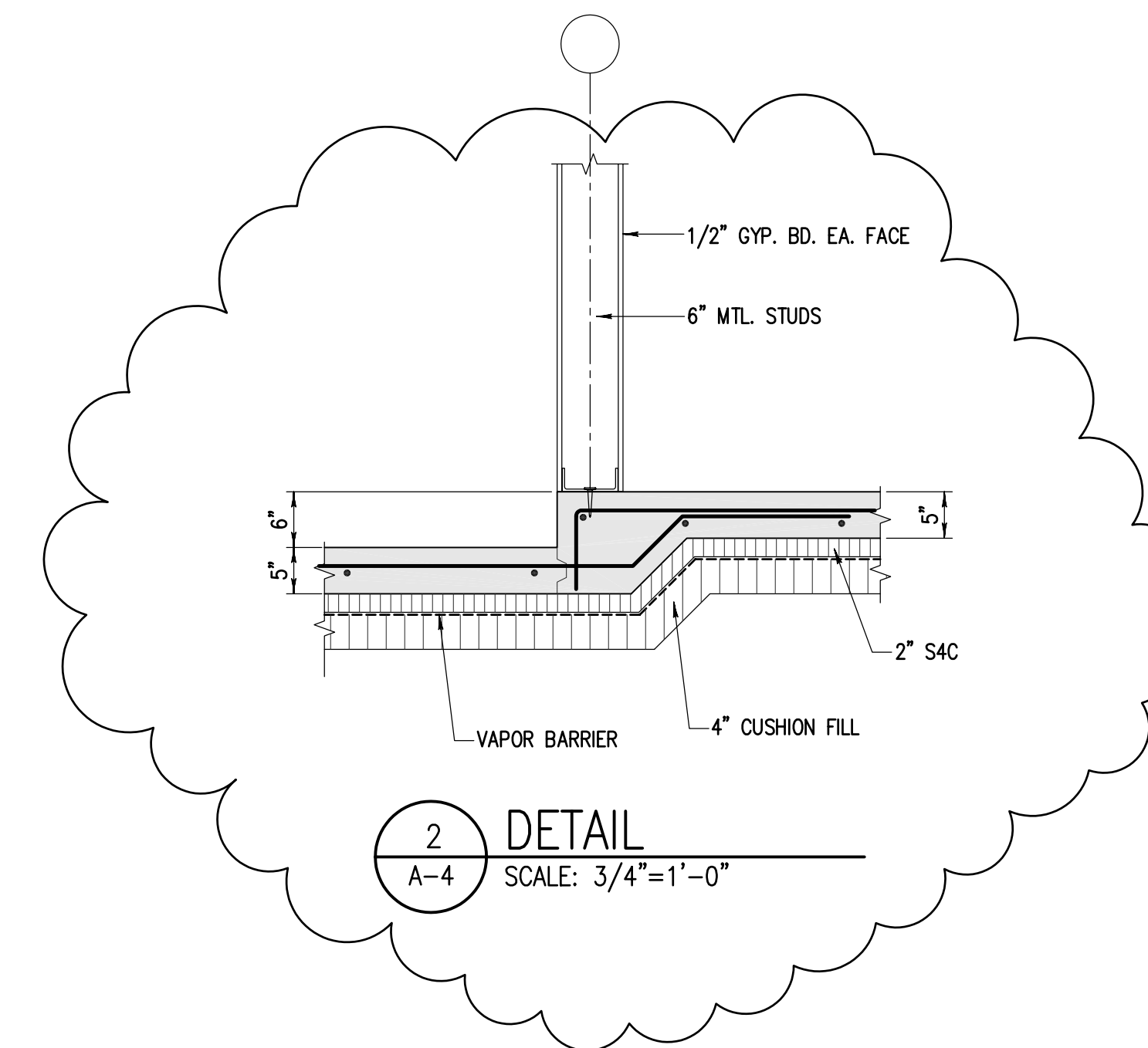
A
A-4 CROSS SECTION
SCALE: 1/4"=1'-0"



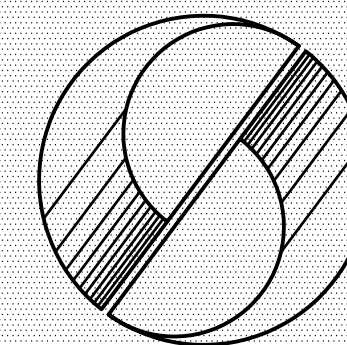
B
A-4 PARTIAL LONGITUDINAL SECTION
SCALE: 1/4"=1'-0"



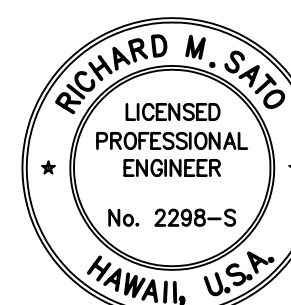
1
A-4 DETAIL
SCALE: 3/4"=1'-0"



2
A-4 DETAIL
SCALE: 3/4"=1'-0"

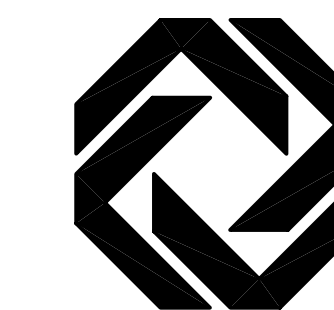


SATO & ASSOCIATES, INC.
CONSULTING ENGINEERS CIVIL & STRUCTURAL
HONOLULU, OAHU, HAWAII WAILUKU, MAUI, HAWAII



SATO & ASSOCIATES, INC.
EXP: APRIL 30, 2006

THIS WORK WAS PREPARED BY ME OR UNDER MY SUPERVISION AND CONSTRUCTION OF THIS PROJECT WILL BE UNDER MY OBSERVATION (OBSERVATION AS DEFINED IN CHAPTER 16-115-2 OF THE HAWAII ADMINISTRATIVE RULES, DEPARTMENT OF COMMERCE AND CONSUMER AFFAIRS ENTITLED PROFESSIONAL ENGINEERS, ARCHITECTS, SURVEYORS AND LANDSCAPE ARCHITECTS).



Kihei Commercial Plaza

Building 1
Kihei, Maui, Hawaii

TITLE:
BUILDING SECTIONS

SYM.	DESCRIPTION	DATE
DESIGN BY: RMS	DATE: 1-25-05	
DRAWN BY: GKO	JOB NO: 98020-A0	
CHECKED BY: RMS		
CAD FILE: /users/project/98020-A0/bldg1/a-04		

SHEET

A - 4

OF 38 SHEETS